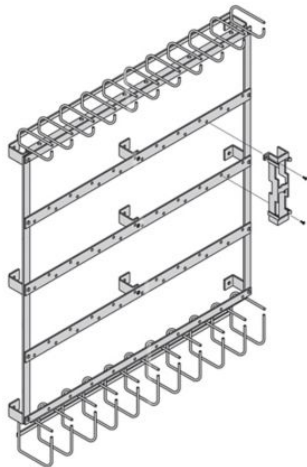


Eaton SB7200306AYZ

Catalog Number: SB7200306AYZ

Eaton B-Line series wall mount cross connect frame, 30" height, 24.25" length, 24.25" width, Steel, Yellow zinc, A569 and A36 Steel frame yellow zinc, Steel jumper rings, Nylon block stand off brackets, Wall mounted cross connect frame



General specifications

Product Name	Catalog Number
Eaton B-Line series wall mount cross connect frame	SB7200306AYZ
	UPC
	799038034643
Product Length/Depth	Product Height
24.25 in	30 in
Product Width	Product Weight
24.25 in	26 lb
Certifications	
Not Applicable	

Product specifications

Type

Wall mounted cross connect frame

Material

Steel

Application

Support 66M-type quick connect blocks

Resources

Catalogs

[Distribution frames section of the Datacomm catalog](#)

Specifications and datasheets

[Eaton Specification Sheet - SB7200306AYZ](#)



Eaton Corporation plc
Eaton House
30 Pembroke Road
Dublin 4, Ireland
Eaton.com
© 2023 Eaton. All Rights Reserved.

Eaton is a registered trademark.

All other trademarks are property of their respective owners.



[Eaton.com/socialmedia](https://www.eaton.com/socialmedia)